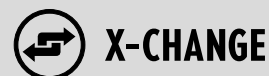


BATTERY COMBI TOOL SPS 360 MK2 E-FORCE3

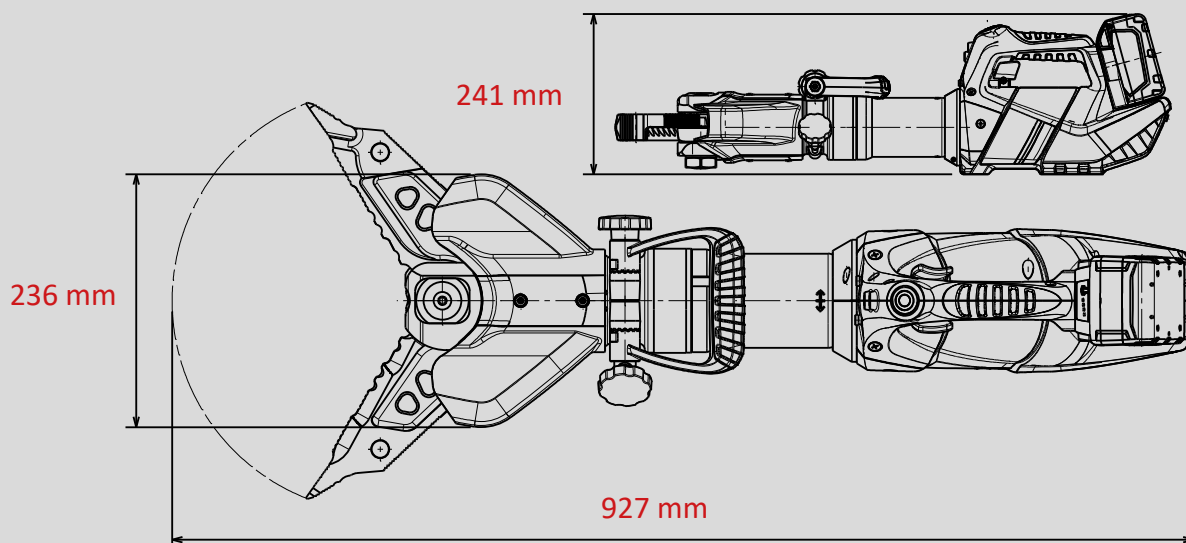
E-FORCE3

Part no.
1096647



Technical data:

| | |
|---------------------------------------|--------------------|
| Spreading width | 360 mm |
| Spreading force (in the working area) | 36 - 783 kN |
| Opening width | 285 mm |
| Pulling width (with adapters) | 440 mm |
| Max. pulling force | 53 kN |
| Weight (ready for use) | 18,1 kg |
| Dimensions (LxWxH) | 927 x 236 x 241 mm |
| Nominal pressure | 700 bar |
| EN classification (EN 13204)* | CK36/360I-18,1 |
| EN cutting class (EN 13204)* | 1I-2K-3J-4K-5J |
| NFPA cutting class (NFPA 1936) | A7-B8-C7-D9-E8-F5 |



*According to EN 13204. Images are non-binding. We reserve the right to technical modifications.
60005269 (A, 200100, ALL, 29.07.2020)

WEBER-HYDRAULIK GMBH
Heilbronner Straße 30
74363 Güglingen/Deutschland
Fon +49 7135/71-10270
Fax +49 7135/71-10396
info@weber-rescue.com

Emil Weber Platz 1
4460 Losenstein/Österreich
Fon +43 7255/6237-120
Fax +43 7255/6237-12461
info@weber-rescue.com

WEBERRESCUE
SYSTEMS
www.weber-rescue.com